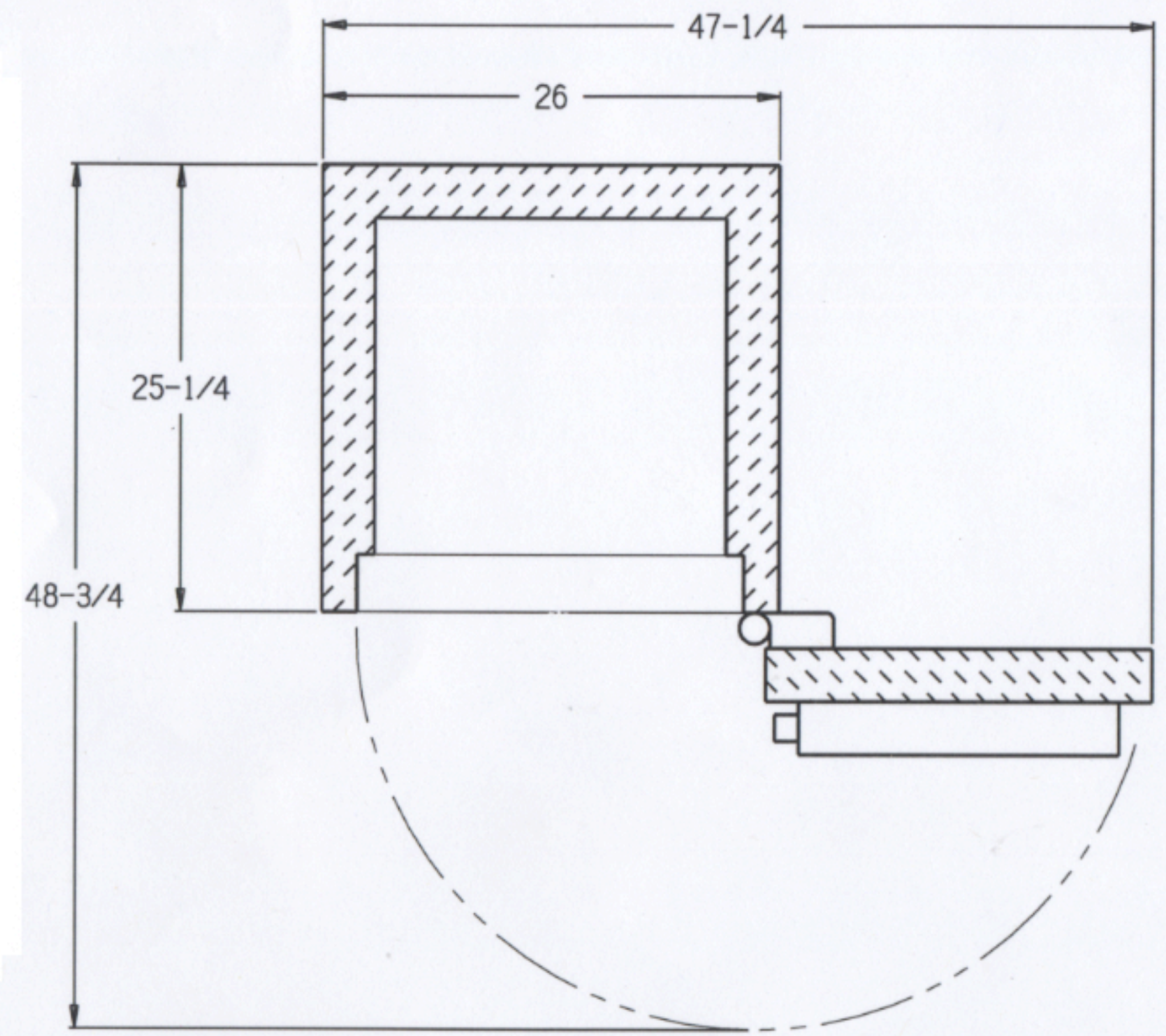
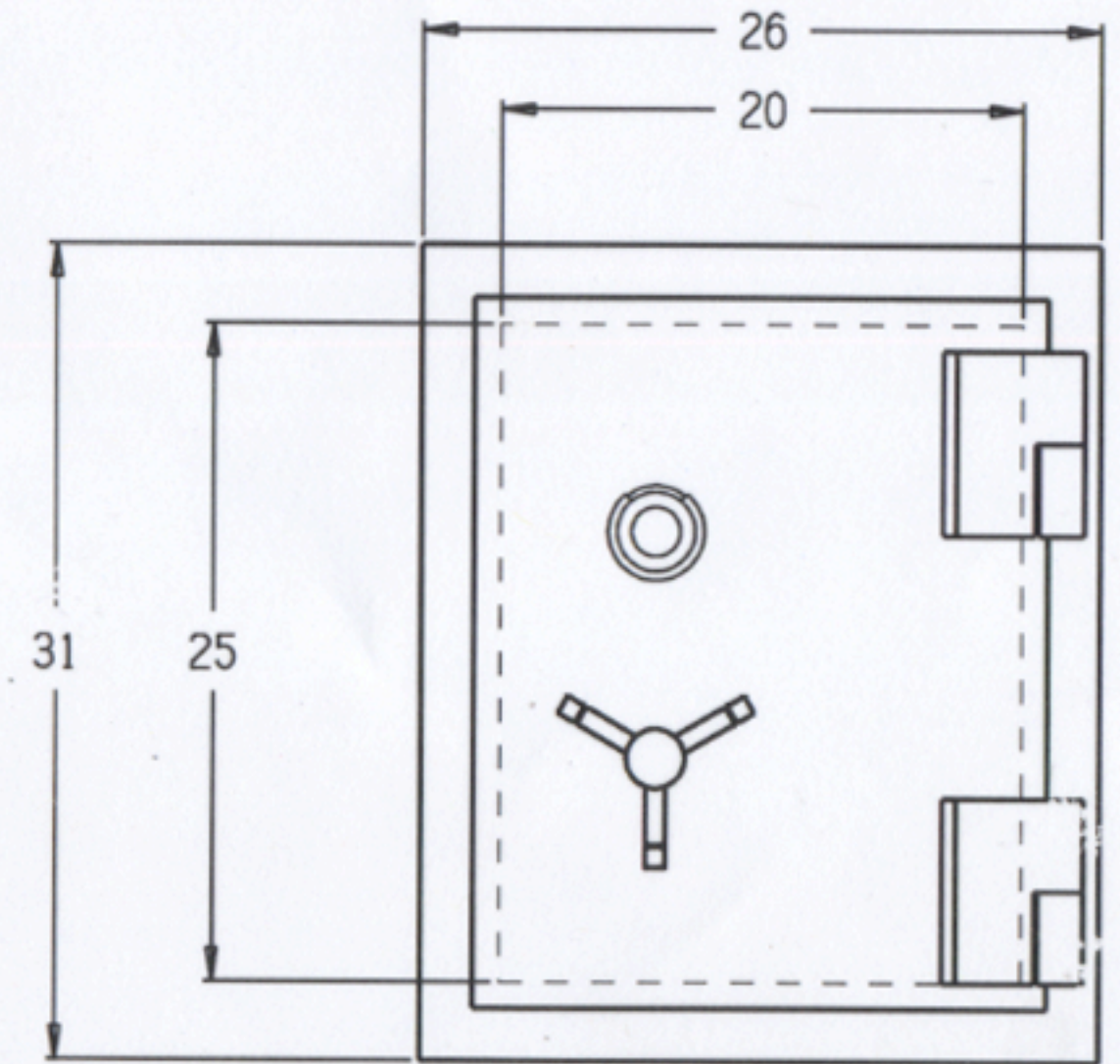
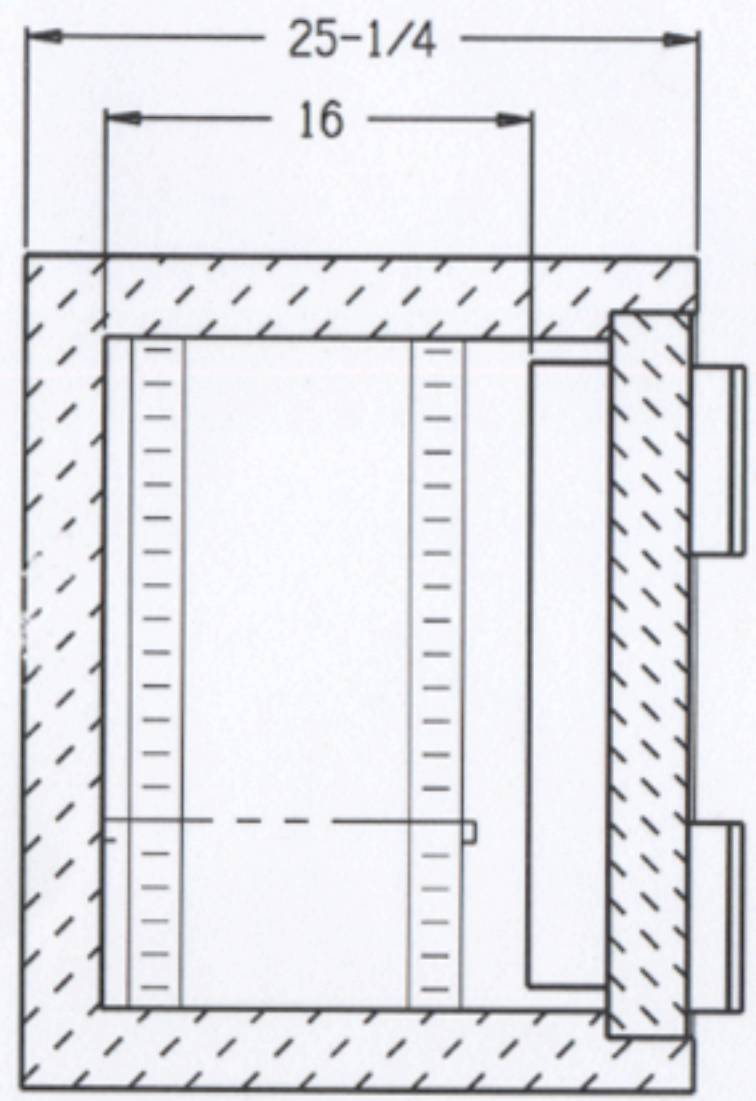


REVISIONS			
REV	DESCRIPTION	DATE	BY



SECTION VIEW

FRONT VIEW

DOOR OPENING

CUSTOMER SIGNATURE		DeanSafe.com	
CUSTOMER NAME			
DATE			
COMPANY NAME		AMVAULTx6 - 25.00 x 20.00 x 16.00	
PROPRIETARY INFORMATION UNAUTHORIZED RELEASE WITHOUT EXPRESS WRITTEN PERMISSION OF AMERICAN SECURITY PRODUCTS CO. EXPRESSLY PROHIBITED	ML # CFX252016	B Q #	SK2011-606 -
DRAWN R. Tucker	19 OCT 11	SCALE 1/10	DO NOT SCALE DWG SHEET 1 OF 2