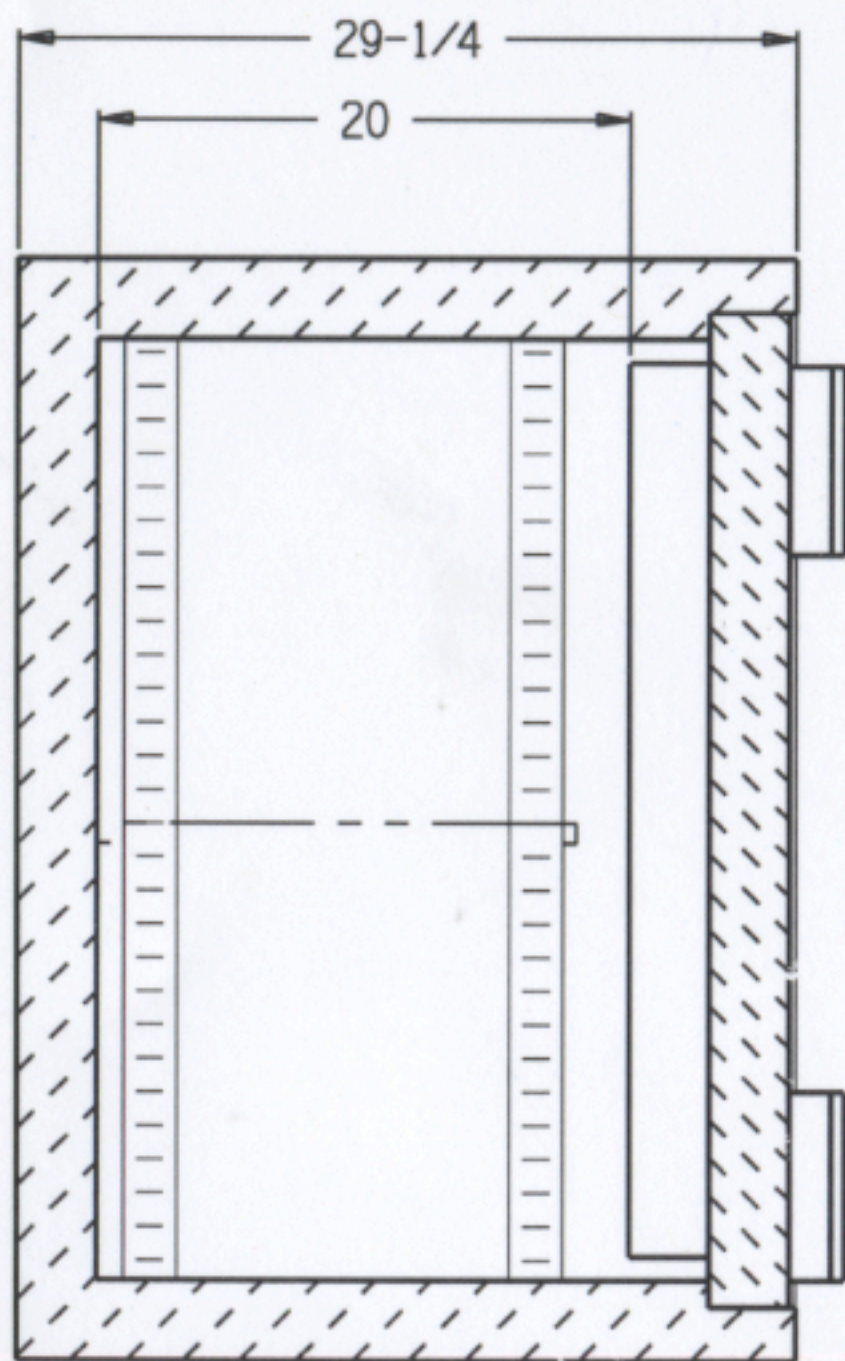
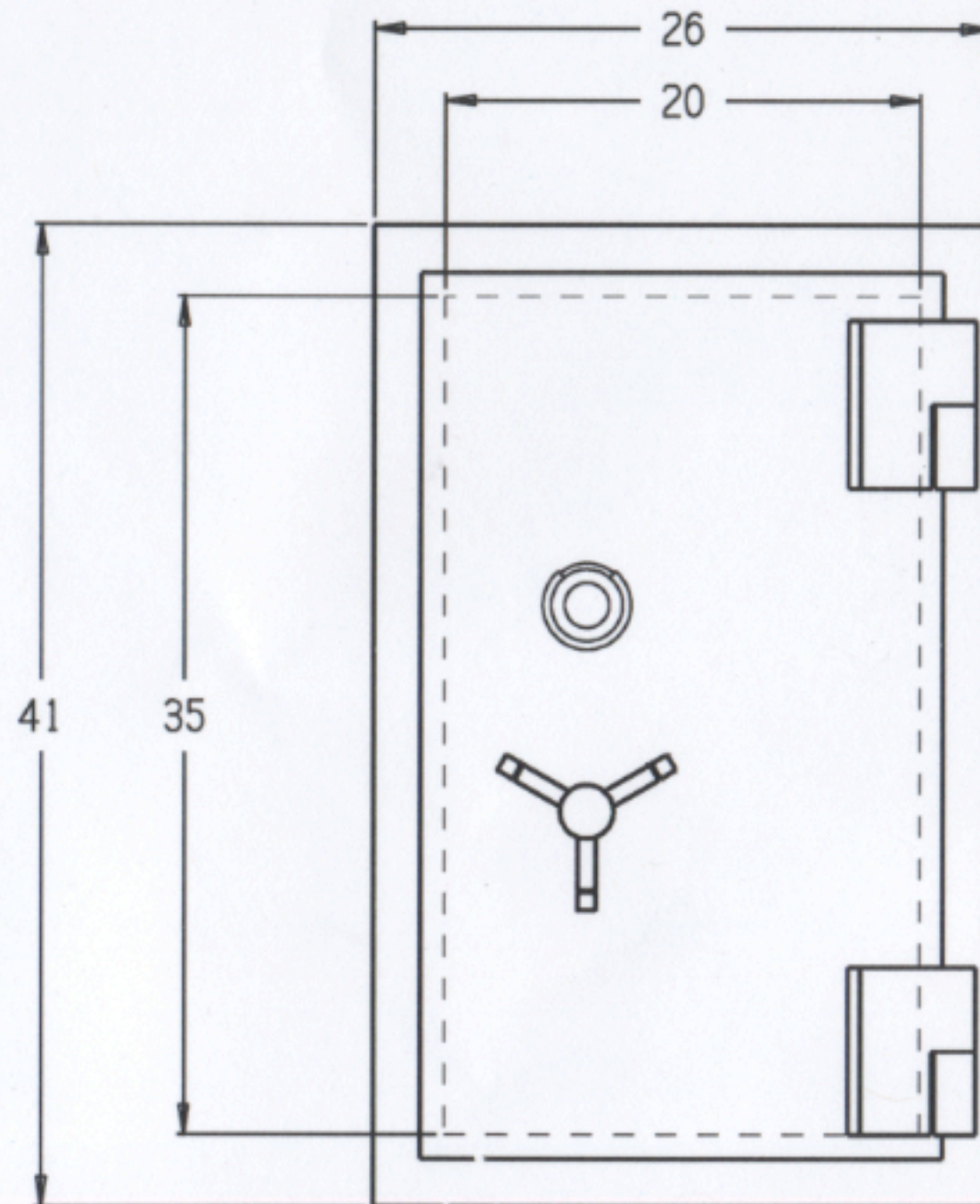


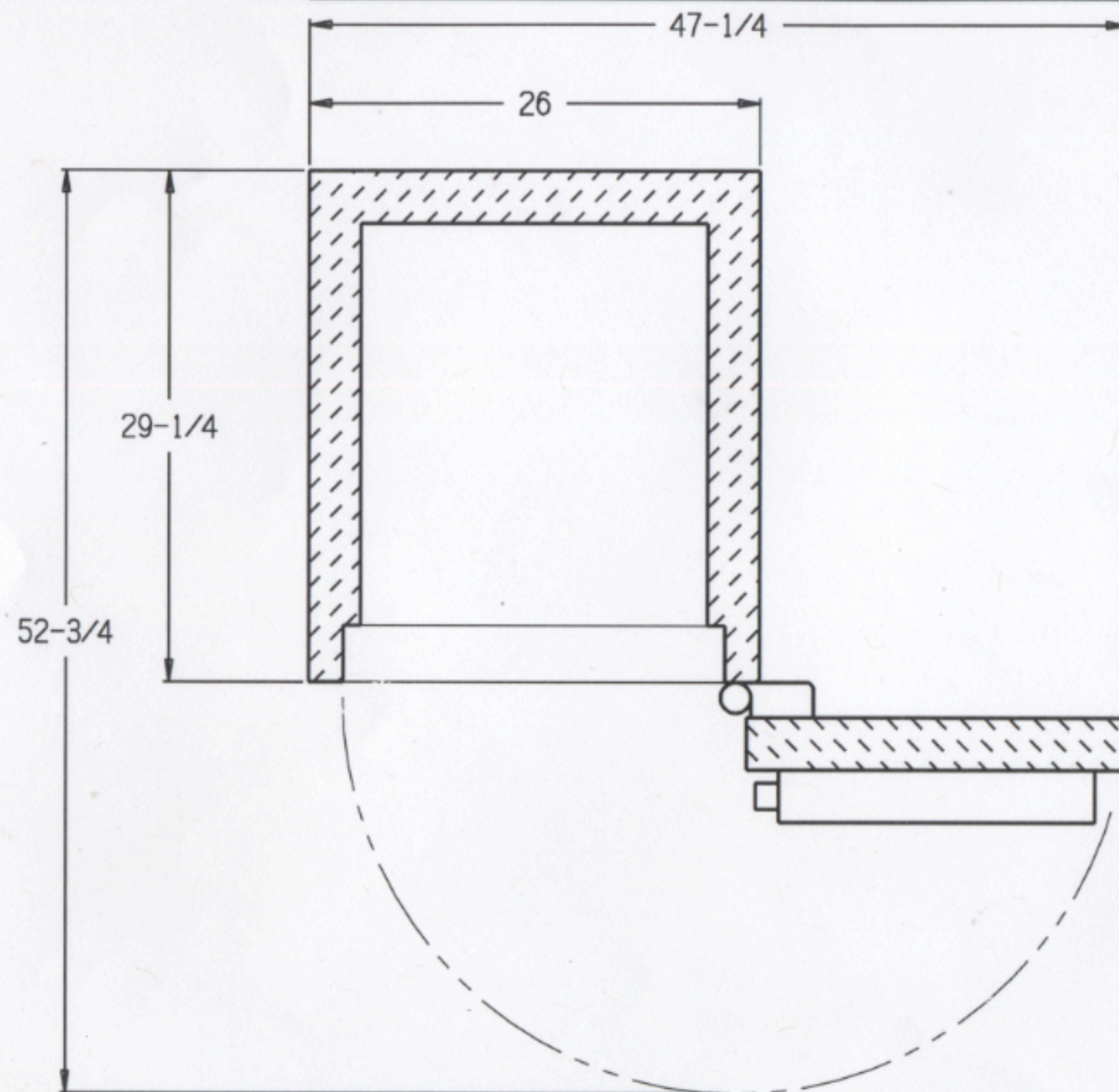
REVISIONS			
REV	DESCRIPTION	DATE	BY



SECTION VIEW



FRONT VIEW



DOOR OPENING

CUSTOMER SIGNATURE	DeanSafe.com		
CUSTOMER NAME			
DATE			
COMPANY NAME	AMVAULTx6 - 35.00 x 20.00 x 20.00		
PROPRIETARY INFORMATION UNAUTHORIZED RELEASE WITHOUT EXPRESS WRITTEN PERMISSION OF AMERICAN SECURITY PRODUCTS CO. EXPRESSLY PROHIBITED	ML # CFX352020	B Q #	SK2011-608
DRAWN R. Tucker	19 OCT 11	SCALE 1/10	DO NOT SCALE DWG
			SHEET 1 OF 2