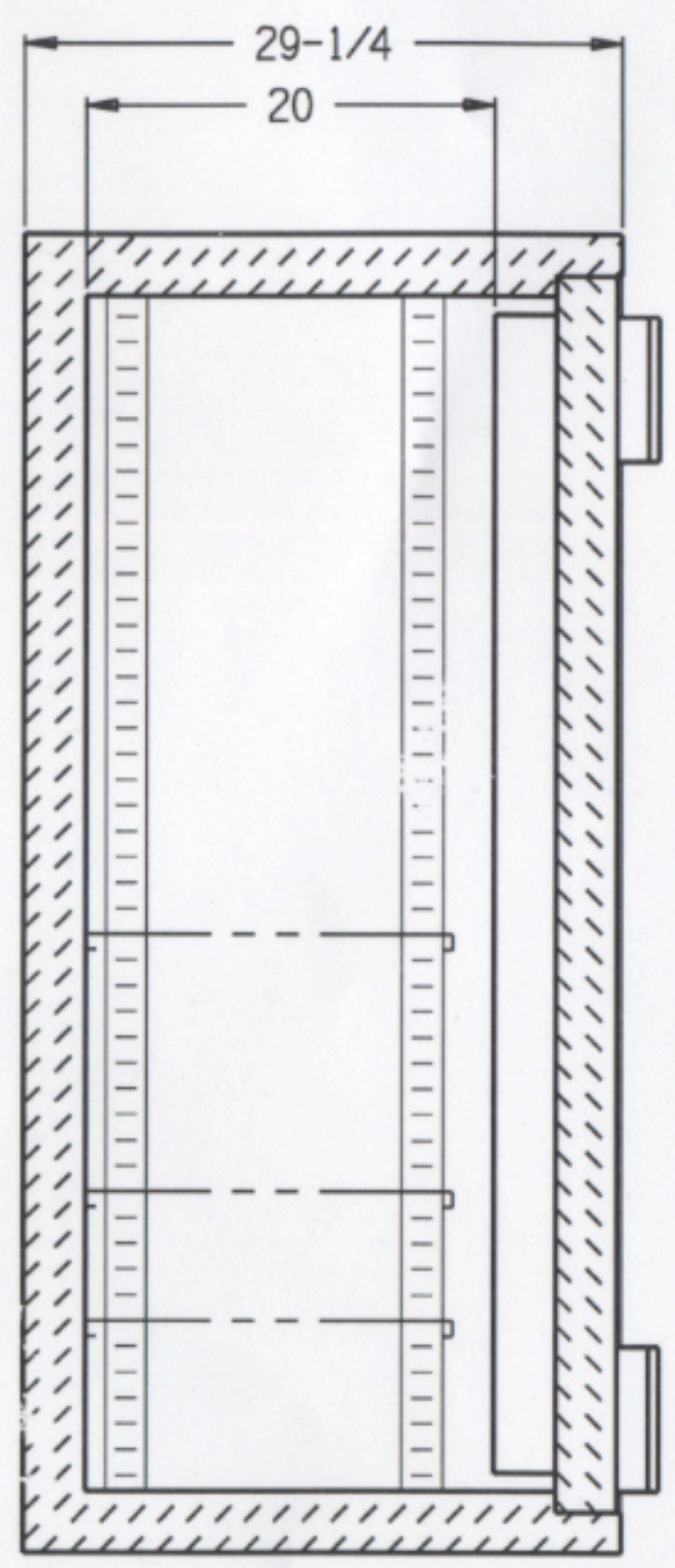
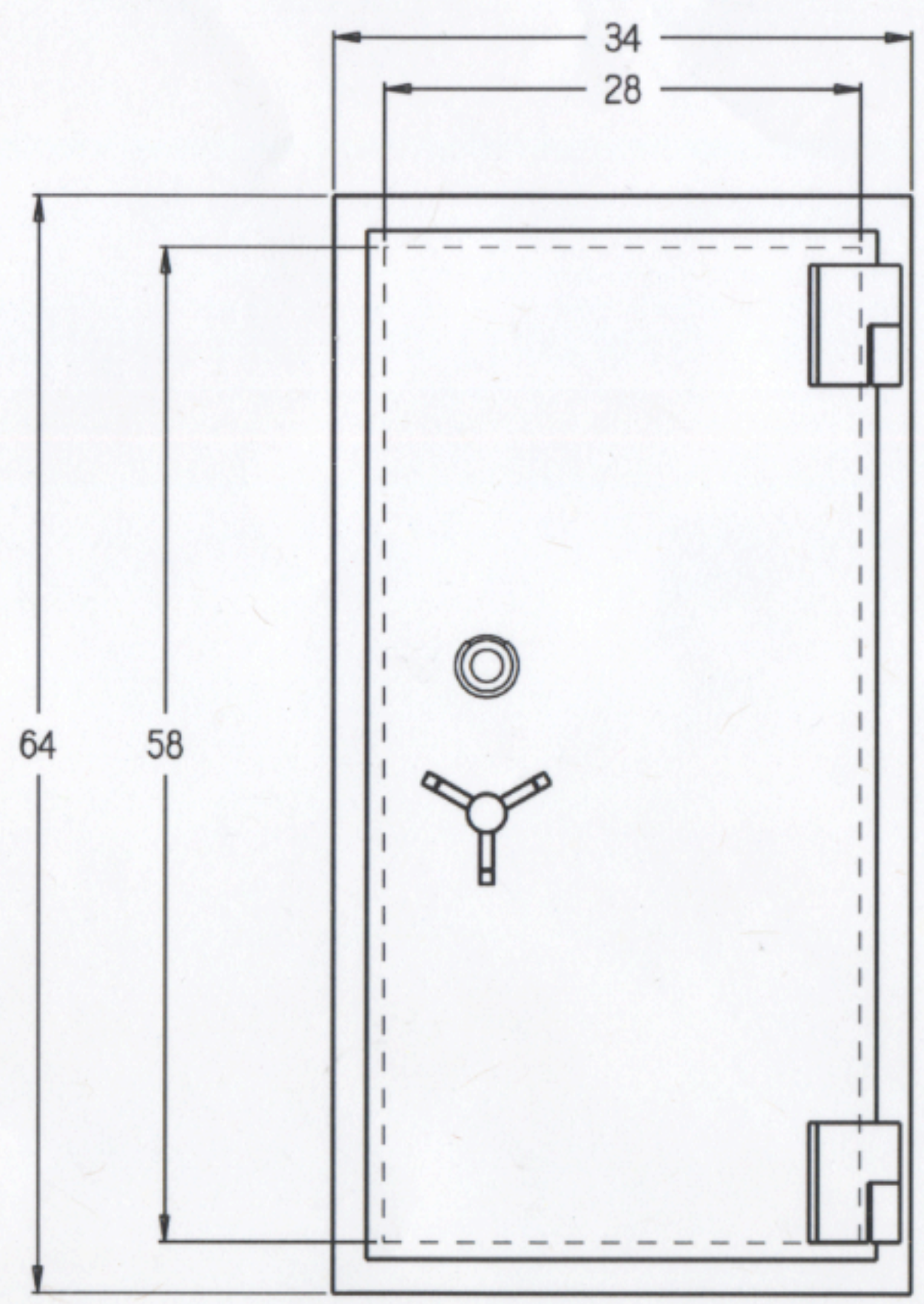


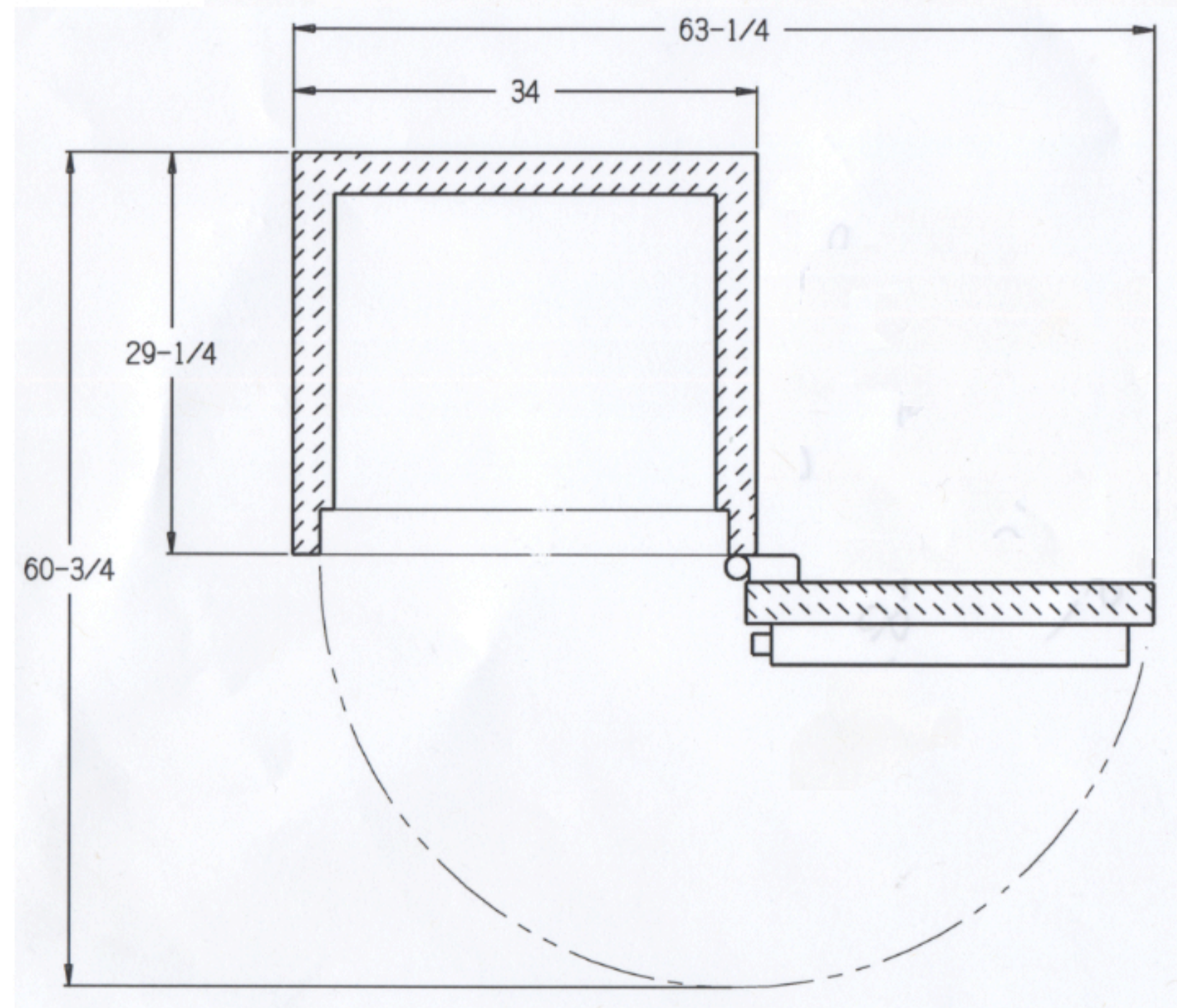
REVISIONS			
REV	DESCRIPTION	DATE	BY



SECTION VIEW



FRONT VIEW



DOOR OPENING

CUSTOMER SIGNATURE	DeanSafe.com		
CUSTOMER NAME			
DATE			
COMPANY NAME	AMVALLT _{x6} - 58.00 x 28.00 x 20.00		
<small>PROPRIETARY INFORMATION UNAUTHORIZED RELEASE WITHOUT EXPRESS WRITTEN PERMISSION OF AMERICAN SECURITY PRODUCTS CO. EXPRESSLY PROHIBITED</small>	ML # CFX582820	B Q #	SK2011-604 -
	DRAWN R. Tucker	14 OCT 11	SCALE 1/12 DO NOT SCALE DWG SHEET 1 OF 2